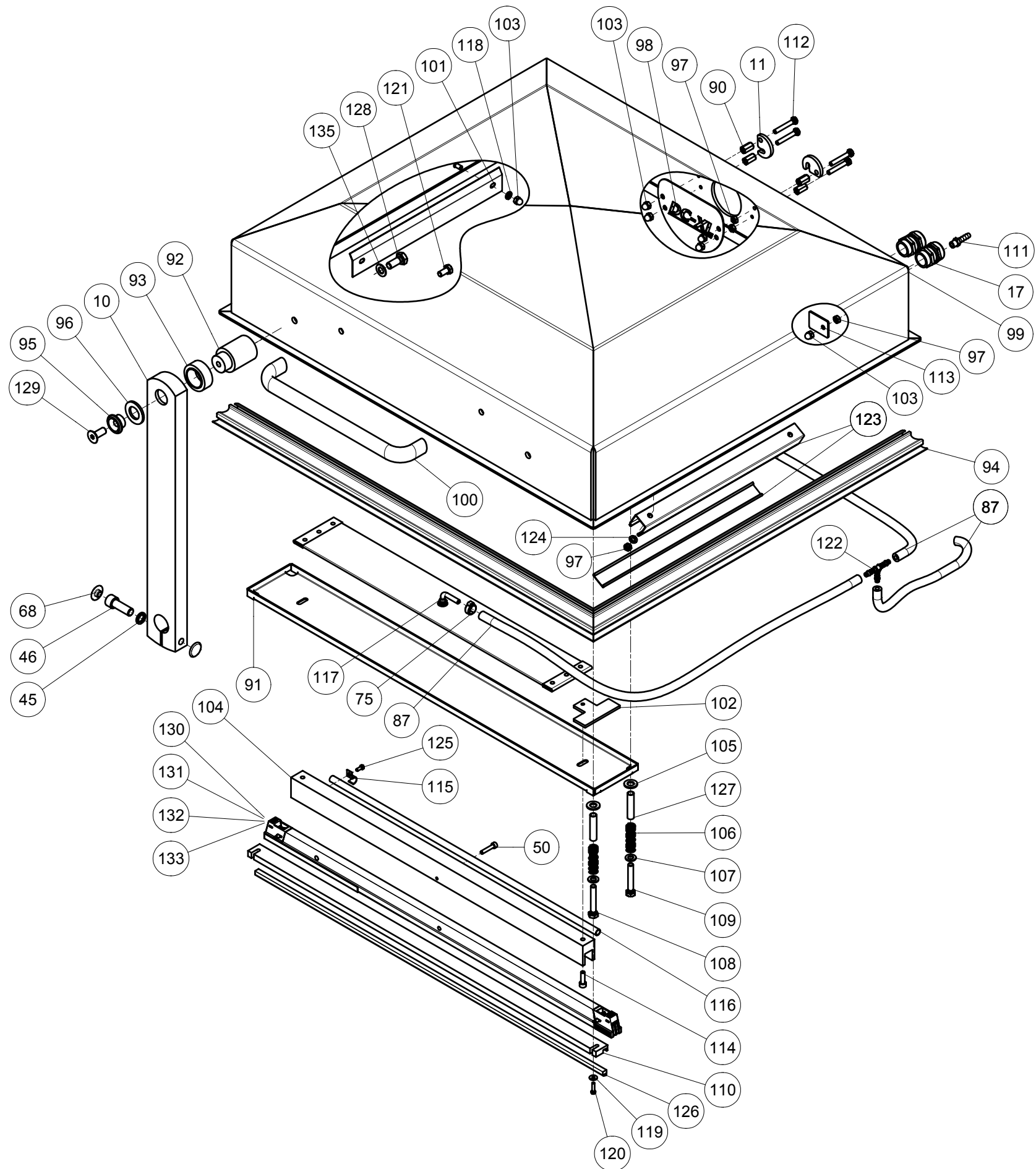


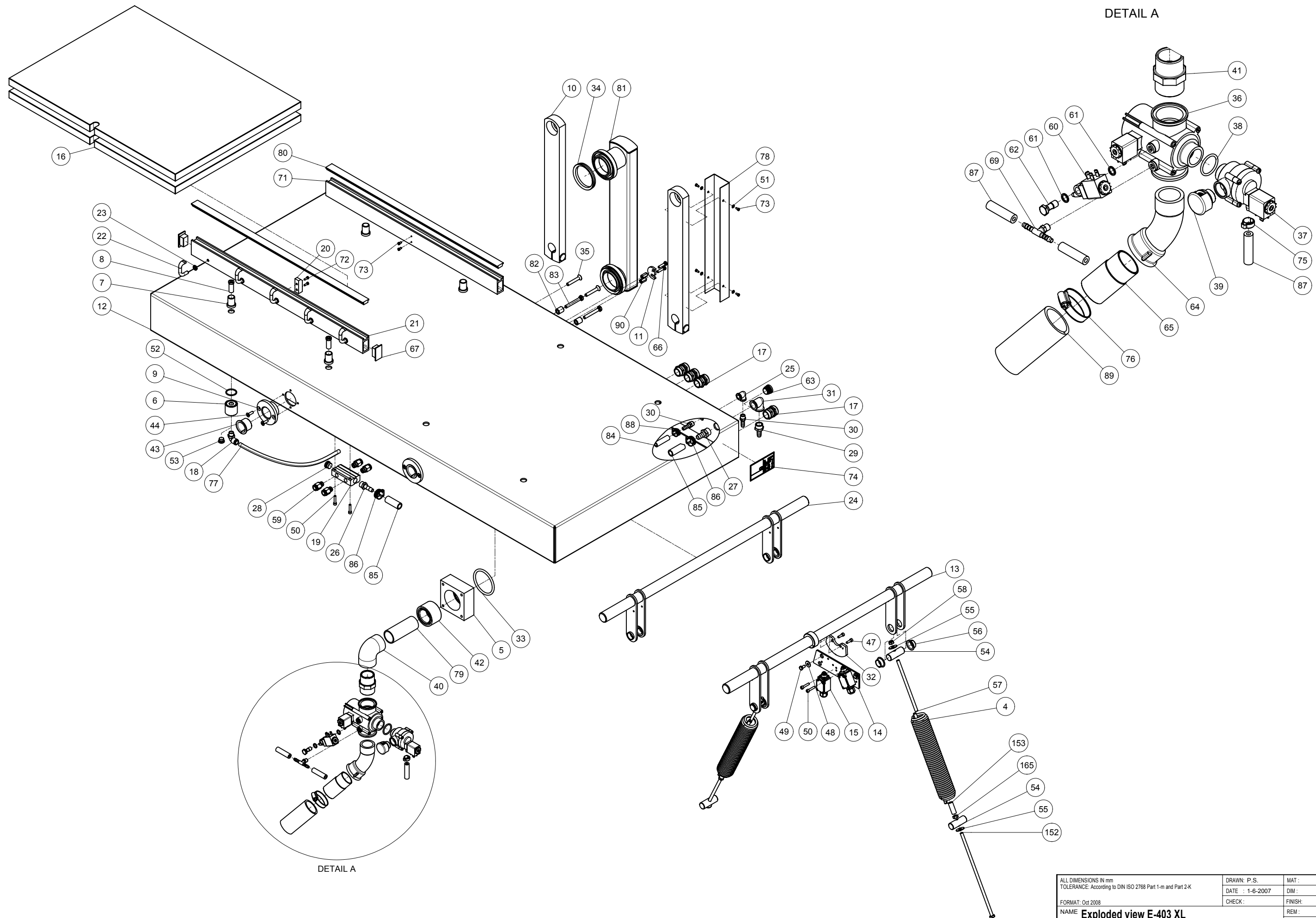
Ownership explicitly reserved to HFE vacuum systems b.v. Multiplication in any form to third parties is not permitted without written permission of the owner.



REV	DATE	DESCRIPTION
A	1-11-2007	Steunrol afzuigbuis
REVISION HISTORY		

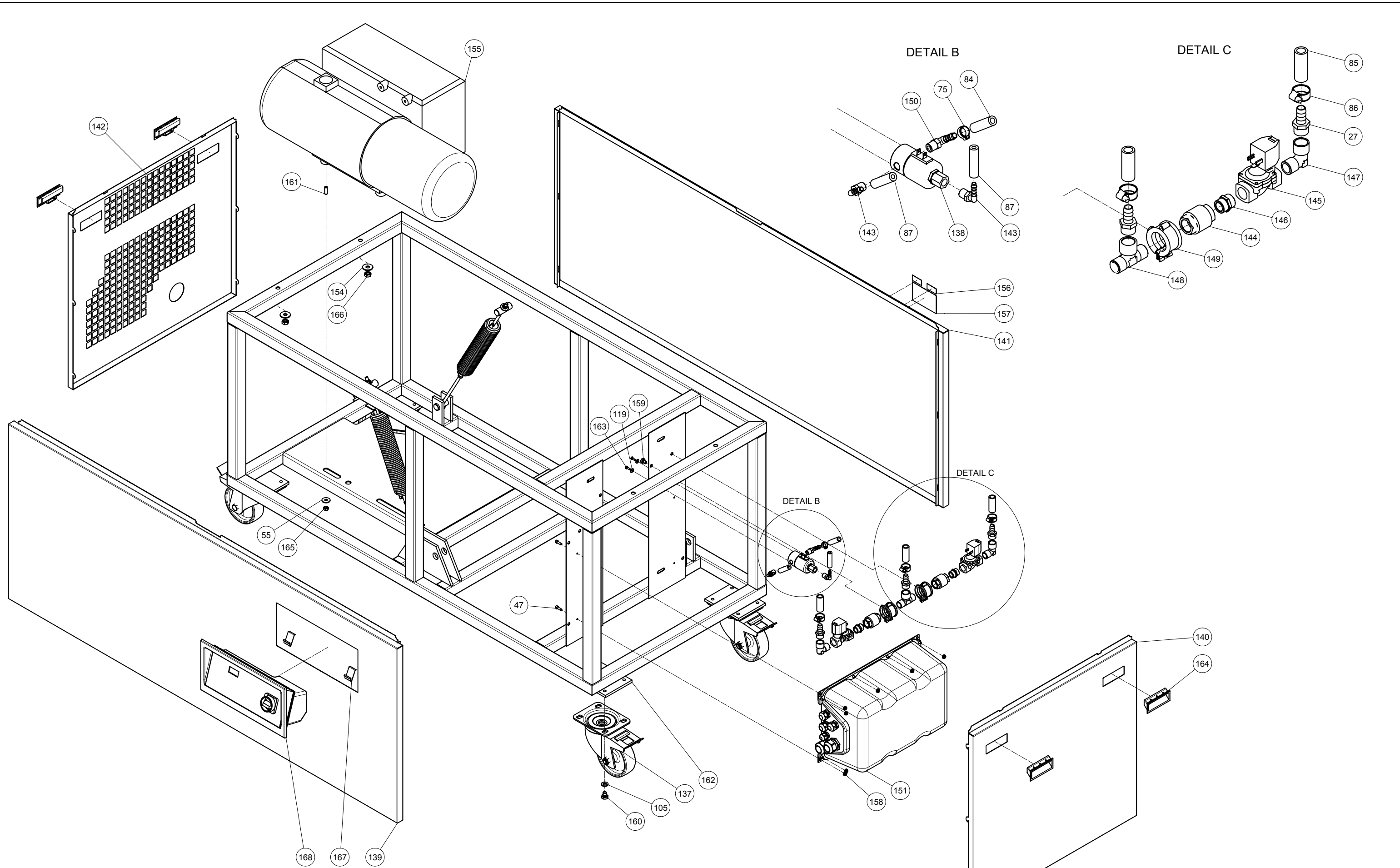
ALL DIMENSIONS IN mm TOLERANCE: According to DIN ISO 2768 Part 1-m and Part 2-K		DRAWN: P.S.	MAT :
FORMAT: Oct 2008		DATE : 1-6-2007	DIM :
NAME Exploded view E-403 XL Deksel		CHECK :	FINISH:
		REM :	
		REPLACED BY	REPLACES
HFE VACUUM SYSTEMS		SCALE 1:5	FORM A2
PO Box 2261 5202 CG 's-Hertogenbosch Netherlands Phone: +31 (0)73 6 271 271 Fax: +31 (0)73 6 271 200		ART. NR 40.J0.0.0000	DRW. NR E-403XL-1
		REV A	SHEET NR

Ownership explicitly reserved to HFE vacuum systems b.v. Multiplication in any form to third parties is not permitted without written permission of the owner.



ALL DIMENSIONS IN mm TOLERANCE: According to DIN ISO 2768 Part 1-m and Part 2-K		DRAWN: P.S.	MAT:
FORMAT: Oct 2008		DATE: 1-6-2007	DIM:
NAME: Exploded view E-403 XL Werkplaat		CHECK:	FINISH:
REPLACED BY:		REPLACES:	
HFE VACUUM SYSTEMS		SCALE: 1:5	FORM: A1
PO Box 2261 5202 CG 's-Hertogenbosch Netherlands		REV: A	ART. NR: 40.J0.0.0000
Phone: +31 (0)73 6 271 271 Fax: +31 (0)73 6 271 200		DRW. NR: E-403XL-2	SHEET NR:

Ownership explicitly reserved to HFE vacuum systems b.v. Multiplication in any form to third parties is not permitted without written permission of the owner.



ALL DIMENSIONS IN mm		DRAWN: P.S.	MAT:
TOLERANCE: According to DIN ISO 2768 Part 1-m and Part 2-K		DATE: 1-6-2007	DIM:
FORMAT: Oct 2008		CHECK:	FINISH:
NAME: Exploded view E-403 XL		REM:	
Onderframe		REPLACED BY:	REPLACES:
HFE VACUUM SYSTEMS		SCALE:	FORM ART. NR
PO Box 2261			A1 40.J0.0.0000
5202 CG 's-Hertogenbosch Netherlands		REV:	DRW. NR SHEET NR
Phone: +31 (0)73 6 271 271		A	E-403XL-3
Fax: +31 (0)73 6 271 200			